



DISPENSERS



PUMPS



METERS



METERED NOZZLES



NOZZLES

# DEF HOSE REEL

## FEATURES

- HEAVY DUTY SPRING
- BUILT-IN HAND PROTECTION
- LONG LASTING

The Piusi OPEN HOSE REEL for DEF, entirely Made in Italy, features a built-in heavy duty spring. It can be installed on a wall or inside closed cabinets.

## PERFORMANCE

UP TO

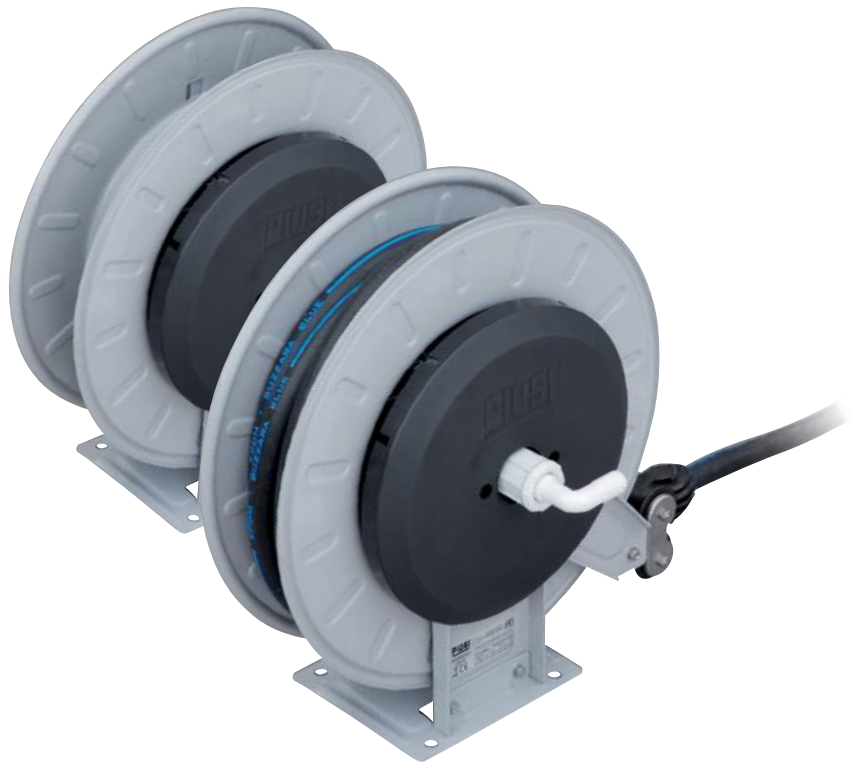
**145 PSI**

PRESSURE

UP TO

**50 FT**

HOSE LENGTH



DEF HOSE REEL



## PACKAGING

PART #	WEIGHT		PACKAGING			N. BOXES / EUROPALLET	
	KG	LBS	MM	INCH	PCS/BOX	✕	
FO075007C	17	37.5	550X260X540	1	1	12	20
FO075011B	24	52.9	550X260X540	1	1	12	20



FILTRATION



FLUID MONITORING



HOSE REELS



ACCESSORIES

# PIUSI®



AIR



ANTIFREEZE



DEF



BIODIESEL



DIESEL



FOOD



GASOLINE



GREASE



KEROSENE



OIL



WATER

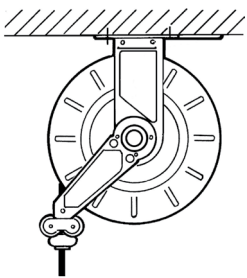


WINDSCREEN

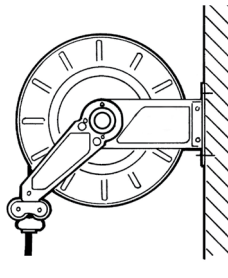
## INSTALLATIONS

Multiple ways to install PIUSI's hose reels: they can be easily placed wherever you need them without any issue with functionality and safety. PIUSI's products are without a doubt designed to support your work in any condition.

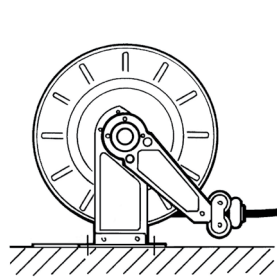
### ROOF INSTALLATION



### WALL INSTALLATION



### GROUND INSTALLATION



## IN THE BOX

- ACCESSORIES INCLUDED
- FIX SUPPORT PLATE (ON REQUEST)
- ROTATING SUPPORT PLATE (ON REQUEST)
- INSTRUCTION MANUAL

## DETAILS



HAND PROTECTION

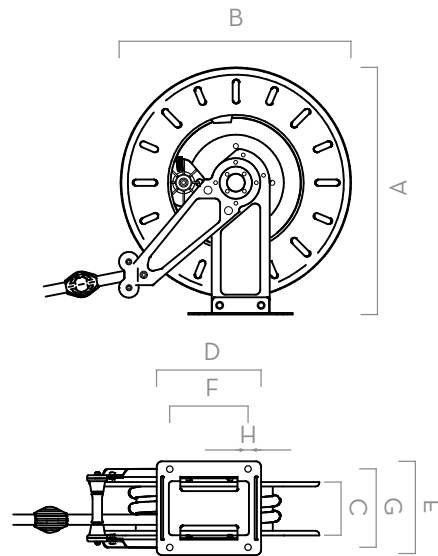


ACCESSORIES INCLUDED

## DIMENSIONS

MODEL	OPEN HOSE REEL BIG	OPEN HOSE REEL SMALL
A	19.4"	18.7"
B	18.1"	18.1"
C	5.9"	4"
D	7.8"	5.9"
E	9.6"	7.7"
F	5.9"	5.9"
G	7.8"	5.9"
H	0.47"	0.47"

MODEL	OPEN HOSE REEL BIG	OPEN HOSE REEL SMALL
A	19.4"	18.7"
B	18.1"	18.1"
C	5.9"	4"
D	7.8"	5.9"
E	9.6"	7.7"
F	5.9"	5.9"
G	7.8"	5.9"
H	0.47"	0.47"



Dimensions expressed in inches

## MATERIALS

- BODY: CAST IRON
- HUB: POLYPROPYLENE
- HOSE: RUBBER

## TECHNICAL DATA

PART #	DESCRIPTION	FLUIDS TYPE	HOSE*	MAX OPERATING PRESSURE	PRESSURE DROP	INLET	OUTLET	HOSE MAX LENGTH BOUND*	HOSE LENGTH
			BPS	PSI	TYPE	WITH HOSETAIL BSP	BSP	FT	FT
FO075007C	DEF HOSE REEL WITH 3/4" HOSE 25FT		3/4"	145	5 @ 9 GPM	3/4"	3/4"	-	25
FO075011B	DEF HOSE REEL WITH 3/4" HOSE SOFT		3/4"	145	8 @ 9 GPM	3/4"	3/4"	-	50

# DEF HOSE REEL

OPEN HOSE REEL